



MODULAR PRO MODULAR SYSTEM OF TECHNICAL DESKS

Technical desks are designed for use in TV, radio and recording studios, central security control rooms and industrial control stations.

The modular system of desks is designed to provide wide variability to meet customer's individual needs along with maintenance of standardization of structural elements for the most efficient production with short lead times.

The modular conception allows additional adjustments and modifications of already implemented desks.

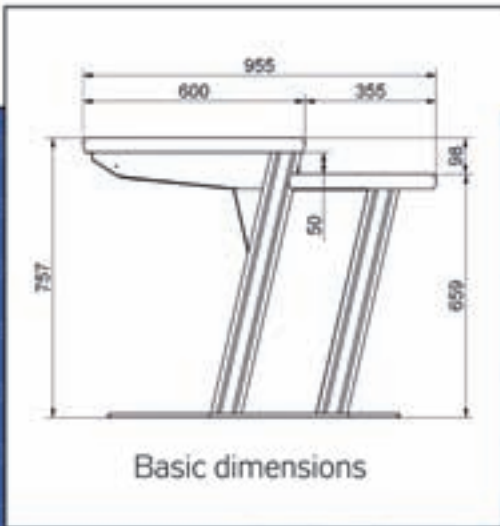
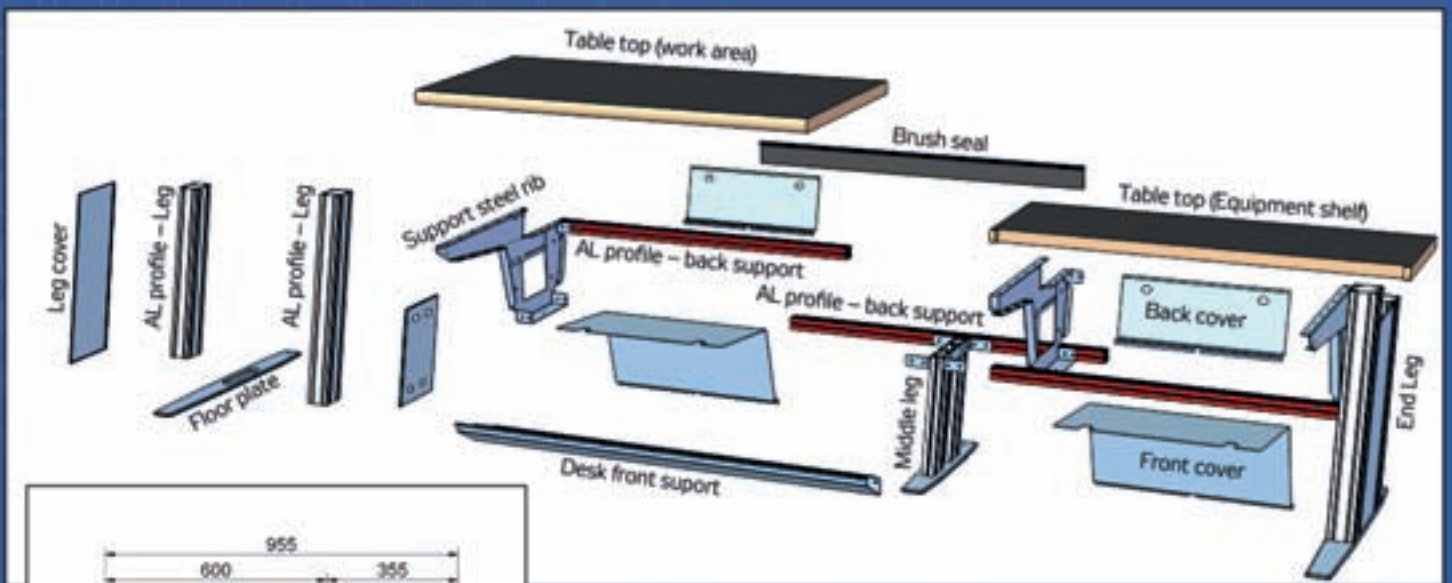
- arbitrary table length or multiples of 19"
- great variety of table top options
- interior space for cabling and small equipment
- cable-through legs
- easy cable manipulation with removable cover plates



Additional features:

- extensions for PC and printer
- monitor bases
- termination panels
- mains distribution panels

The desk is made from aluminium profile parts, support steel ribs, wooden desks with variety of cover surfaces and cover plates.



Combinations of various materials are used for making these desks

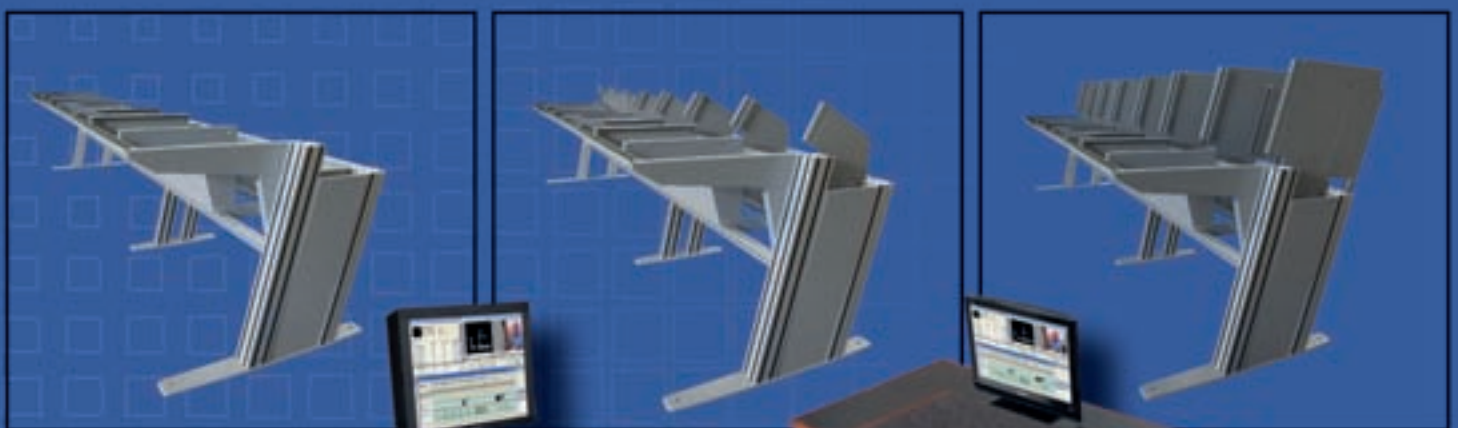
- Laminates, laminates with solid wood lipping
- Plywood with protective coating
- Corian, Corian with lipping

Desk colour combinations can be selected from a colour swatch.

Implementation for 19" desk includes:

- Little RACK extension 2-4RU as part of work area
- Low RACK extension 3-5RU, 30° as part of equipment shelf
- High RACK extension 5-8RU, 15° as part of equipment shelf

Placement of extensions and their total length is optional.



MODULAR PRO
MODULAR SYSTEM OF TECHNICAL DESKS