

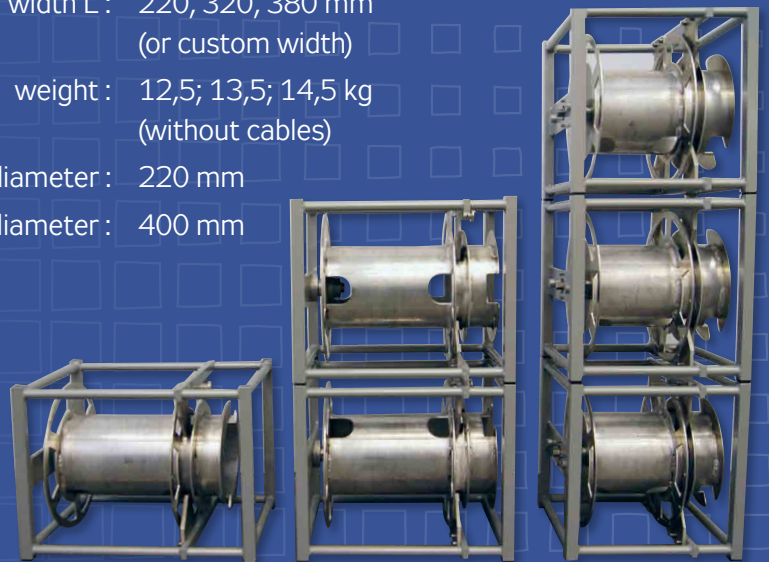


## PORTABLE CABLE DRUMS

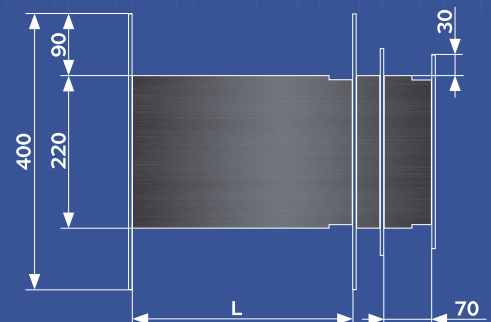


height x depth : 466 x 420 mm  
 drum width L : 220, 320, 380 mm  
 (or custom width)  
 weight : 12,5; 13,5; 14,5 kg  
 (without cables)

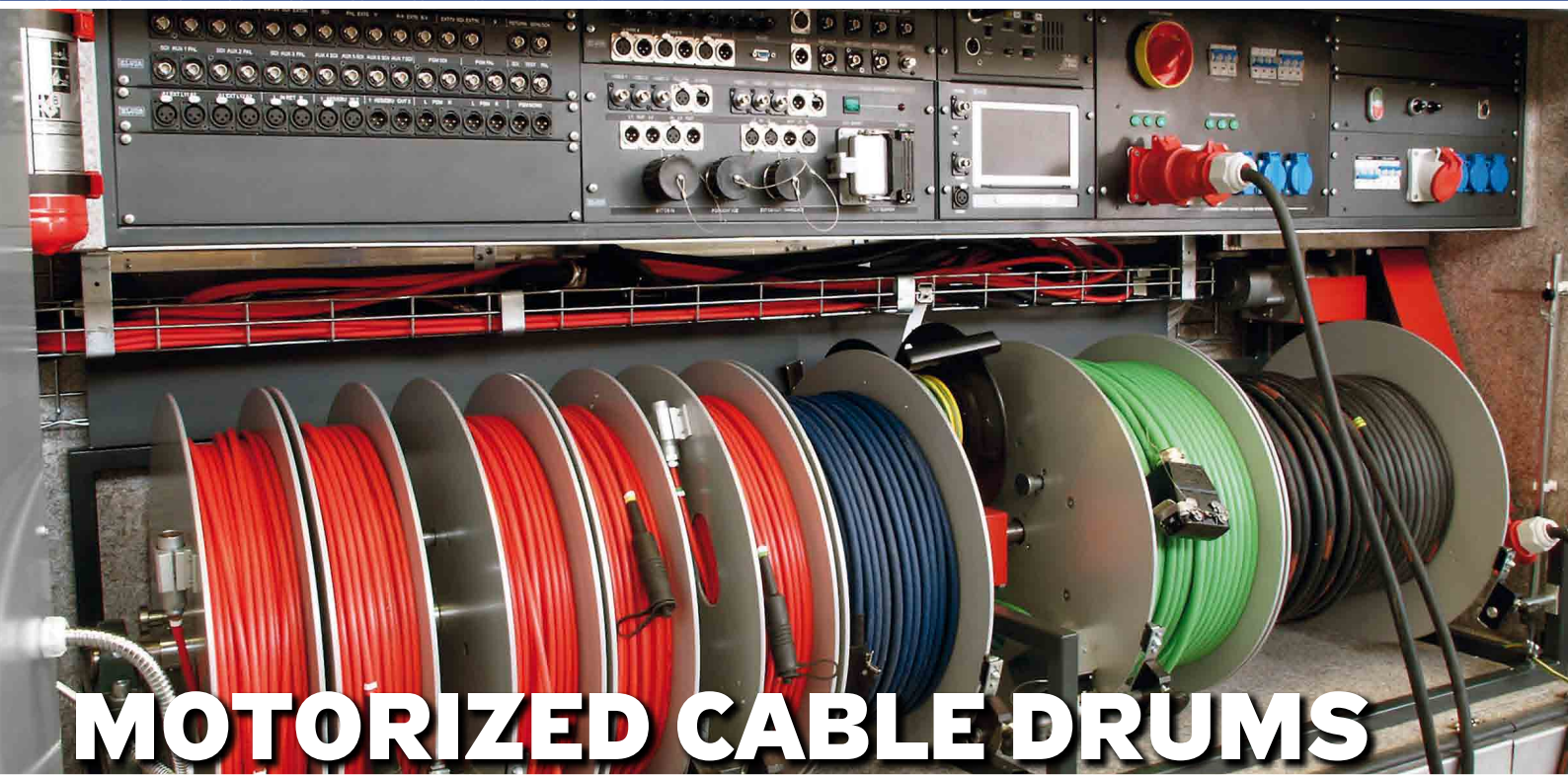
drum core diameter : 220 mm  
 drum side diameter : 400 mm



- rigid AL construction
- stackable, optimal use of space
- suitable for all types of cables : optical, power, signal cables
- manual or electrical drive, position locking



the approximate calculation of the cable length using cable diameter „d“ :  
 Cable length (m) =  $70 \times L \text{ (mm)} / d^2 \text{ (mm)}$



## MOTORIZED CABLE DRUMS

### OB VAN REELS AND WINCHES

- single section drum reel
- multi section drum reels (single shaft)
- reels/winches with cable guide (fairlead)
- electronic speed control, electronic safety



position locking, cable guide



foot pedal control

